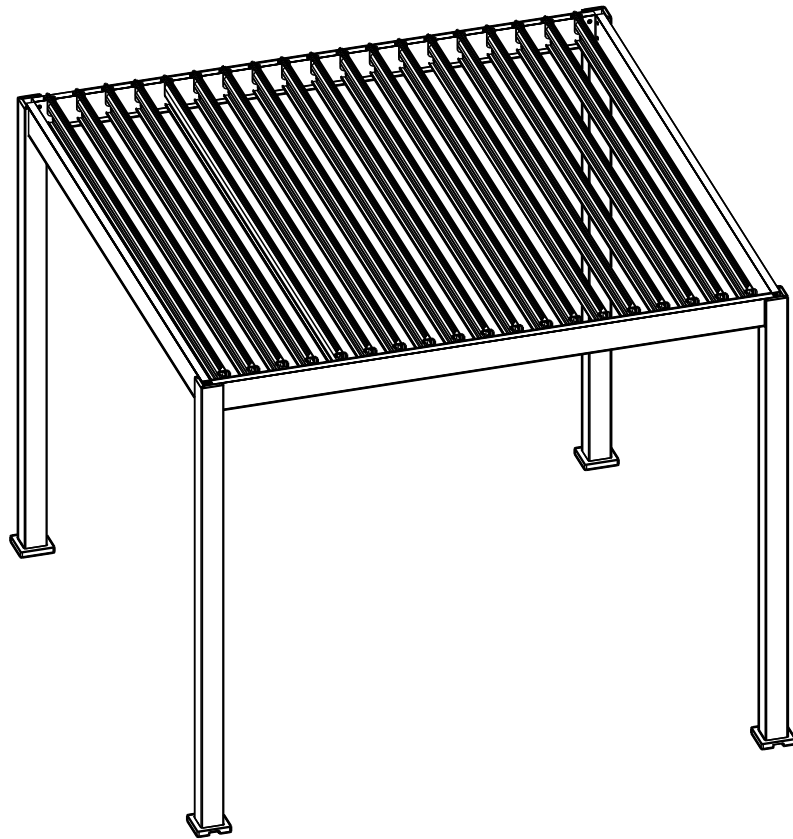




OUTDOOR CREATION
· For better outdoor living ·



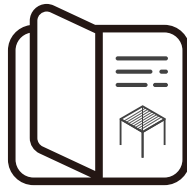
PERGOLA NEO STEEL-L FREE STANDING

INSTRUCTION MANUAL.

3x3
ELE+LED

SUGGESTION – WE RECOMMENDED ONLY ASSEMBLED BY A
PROFESSIONAL ASSEMBLY PERSON OR COMPANY

We appreciate your purchase of our Pergola.



Instruction Manual

This guide will give you step-by-step instructions on how to assemble and care for your pergola, ensuring it lasts for years of enjoyment and reliable use.

IMPORTANT:

Warning: Safety Instructions

For the safety of individuals, it is crucial to follow these instructions. Please retain them for future reference.

Children and individuals with disabilities or limited experience may use the appliance if they are properly supervised or trained and understand the potential risks.

Children should not be allowed to play with the appliance. Cleaning and maintenance tasks should only be performed by children under supervision.

This pergola is designed for outdoor residential use, providing protection from direct sunlight, glare, and heat.

Any use or modification not outlined in this manual is considered improper and could pose significant risks to both users and property. Such actions will void the product warranty.

BEFORE THE INSTALLATION

PREPARE ALL THE NECESSARY TOOLS

To assemble your pergola properly and safely, make sure you have the following tools and accessories on hand, as these are not included.



2 step ladders



Protective gloves



Hexagonal spanner/wrench set



Phillips screwdriver



Hammer



Tape measure



Hard hat



Box cutter



Hammer drill



Spirit level



Cordless screwdriver



Scissors

CHECK FOR MISSING PARTS:

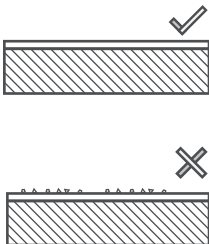
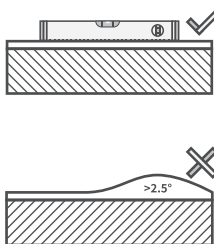
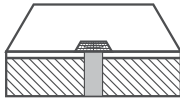
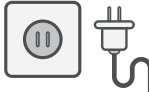
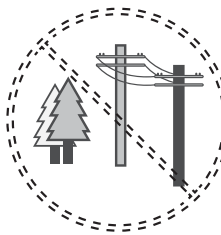
Before starting the installation, verify that you have all the necessary parts to assemble your e-Motion. Double-check that the quantity of parts matches the model you purchased.

If any parts are missing, please reach out to customer service before proceeding with the installation.

PREPARE THE PARTS FOR EACH STEP:

In the Installation section of the manual, each step specifies the parts and quantities needed. We recommend gathering the necessary parts ahead of time for each step. This will help save you time and make the assembly process smoother. To avoid damaging the painted surfaces, place the parts on cardboard or another soft surface if possible.

CHOOSE AN APPROPRIATE LOCATION:

				
The ground should be solid and level.	The ground must be flat and even.	Ensure there is adequate water drainage in the area.	Make sure the location has easy access to power, if needed.	Avoid areas with overhanging trees or powerlines.

WARNING:

Many terraces or patios are built with a slight slope to direct rainwater away from the house or other structures. For proper pergola installation, a completely level surface is required. Small pebbles or uneven ground may prevent the pergola from being securely anchored.

If the pergola is installed on an uneven surface, it may affect the performance of accessory components and could void the product warranty. You may also need to adjust the height of the pillars for proper installation.

PREPARE THE FOUNDATION:

To get your foundation ready, make sure to:




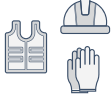



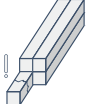
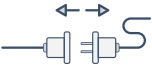
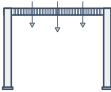
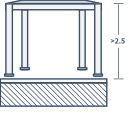



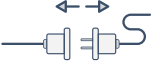





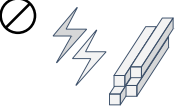

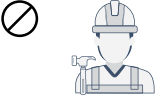
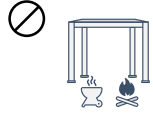
Check for underground pipes and cables (call local relative authorities before digging).

Verify with local authorities if any building permits are necessary.

If you're opting for a concrete base, consult with a reputable contractor.

IMPORTANT SAFETY SUGGESTIONS

To ensure the safety of everyone involved in the installation and use of the pergola, it is essential to follow the safety guidelines listed below.

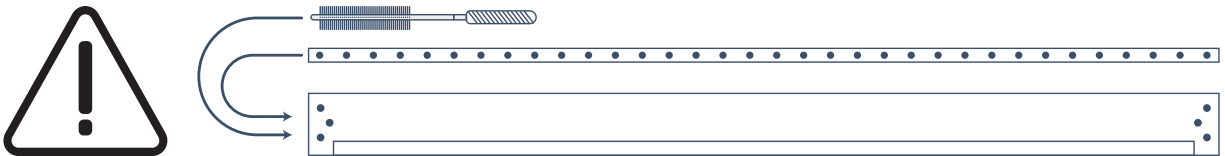
	The pergola must be placed and secured on a flat, level surface.		Always wear suitable work shoes, gloves, and eye protection during assembly.
	When using power tools or a ladder, always adhere to the manufacturer's safety instructions.		Always wear protective gear to minimize the risk of injury in case of a fall.
	Ensure the pergola meets local building regulations and codes.		Do not step on the louvers.
	Use only ladders and scaffolding that can support the required weight.		Visually inspect the pergola for damage prior to each use. If damage is detected, stop using it immediately and reach out to authorized personnel to fix it.
	Remove any excess cords and disconnect any non-essential equipment before installing the drive.		To avoid damage, set the louvers in the vertical position during snow or windy conditions.
	Unprotected moving parts that pose a hazard should be installed more than 2.5 meters above the floor or any surface that could allow access to them.		Always use replacement parts that are approved by the manufacturer.
	To avoid damage to the pergola, ensure that foliage or foreign objects on the louvers and in the guide rails are removed frequently.		Only certified personnel are authorized to carry out electrical installation, following the relevant regulations
	Disconnect all electrical connections from the mains prior to installation.		Operate the pergola remotely only when you can see the moving parts clearly.
	Only a licensed electrical contractor should install the power sources for electric pergolas.		If the motor undergoes repeated open-close cycles, it may enter overheat protection mode and will return to normal once it cools down.
	Keep children and pets away from the assembly area until the installation is fully completed.		Dispose of all plastic bags responsibly and keep them out of reach of children.
	Keep a safe distance from power lines, especially when handling metal parts.		Avoid assembling the pergola in windy or wet conditions.
	In the event of a damaged supply cord, only the manufacturer, a service agent, or similarly qualified personnel should replace it		Do not store hot items, such as recently used grills or blowtorches, under or near the pergola.

	To prevent damage to the louvers' drive, do not operate the roof mechanism in the presence of frost or ice.		Keep clothing and body parts clear of the pergola to avoid them becoming caught in the moving parts.
	Keep items off the louvers.		It is not allowed to hang objects on the pergola, as it may result in serious damage.
	Before making any modifications to the design or configuration of the equipment, consult the manufacturer or an authorized representative.		Keep children away from the fixed controls and ensure remote controls are out of their reach.
	The warranty will be voided, and the operating mechanism may be damaged if non-original branded accessories are installed.		Important: Regularly clean the columns' drainage holes with a soft brush to prevent blockages and damage.
	We guarantee the resistance of the pergola for winds up to 80km/h		We guarantee the resistance of the pergola for a maximum snowweight of 30kg/m2

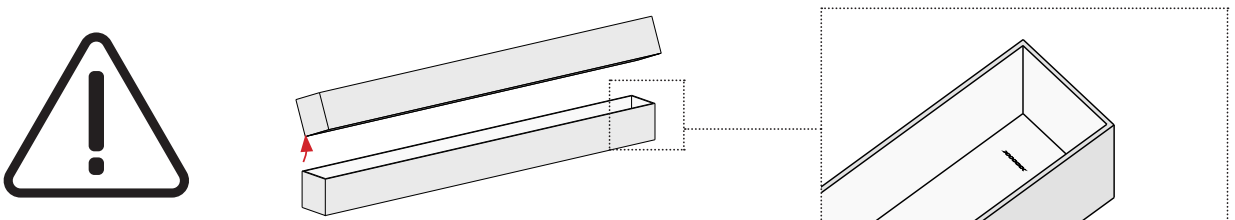


2 PERSONNEL REQUIRED

Connecting bar & brush are in the cavity of the beam.



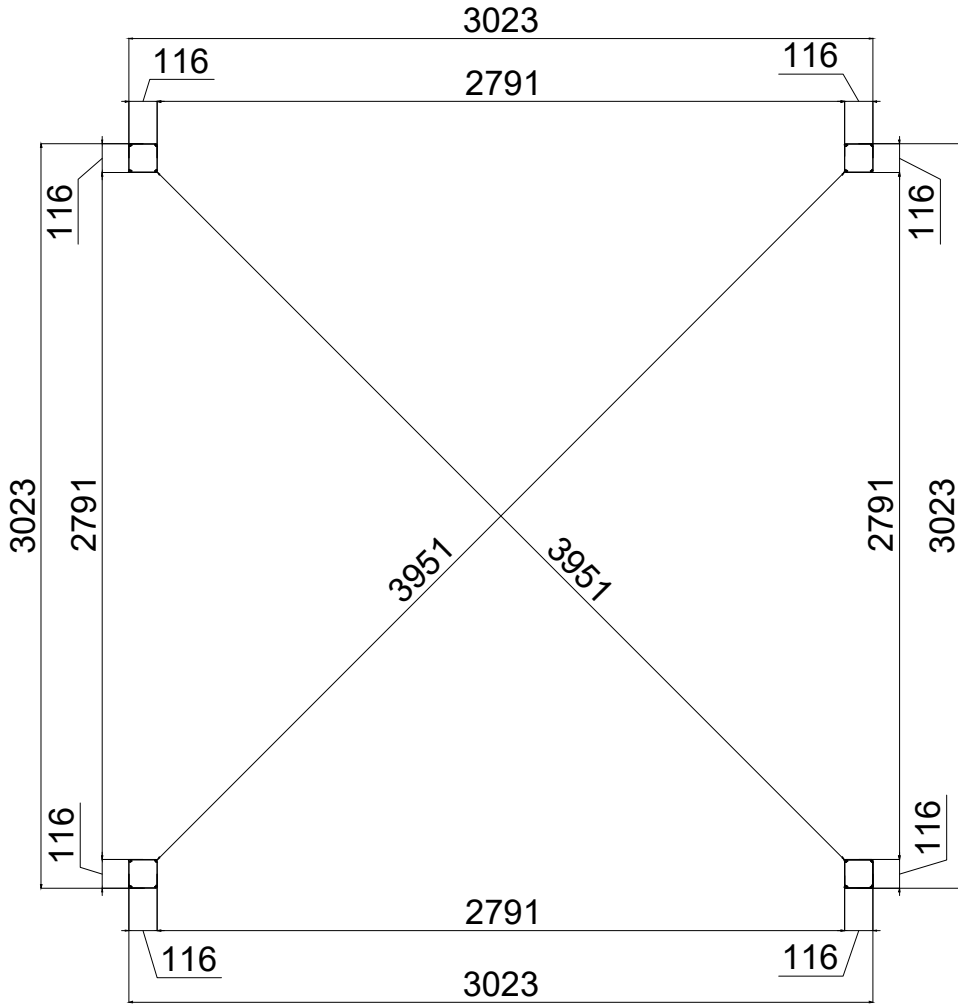
There is a Product Tracking Number in the inner side of the carton (see below diagram). For better and efficient after-sales in the future, when tear down the carton box, please take a photo of the Tracking Number and save the photo.



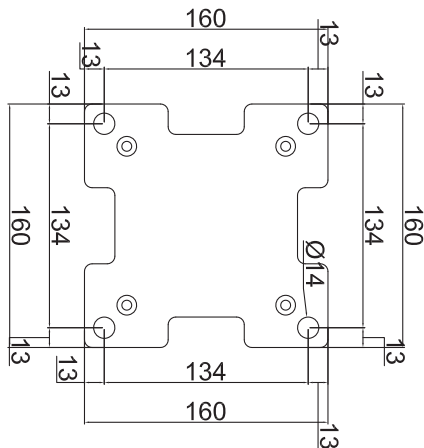
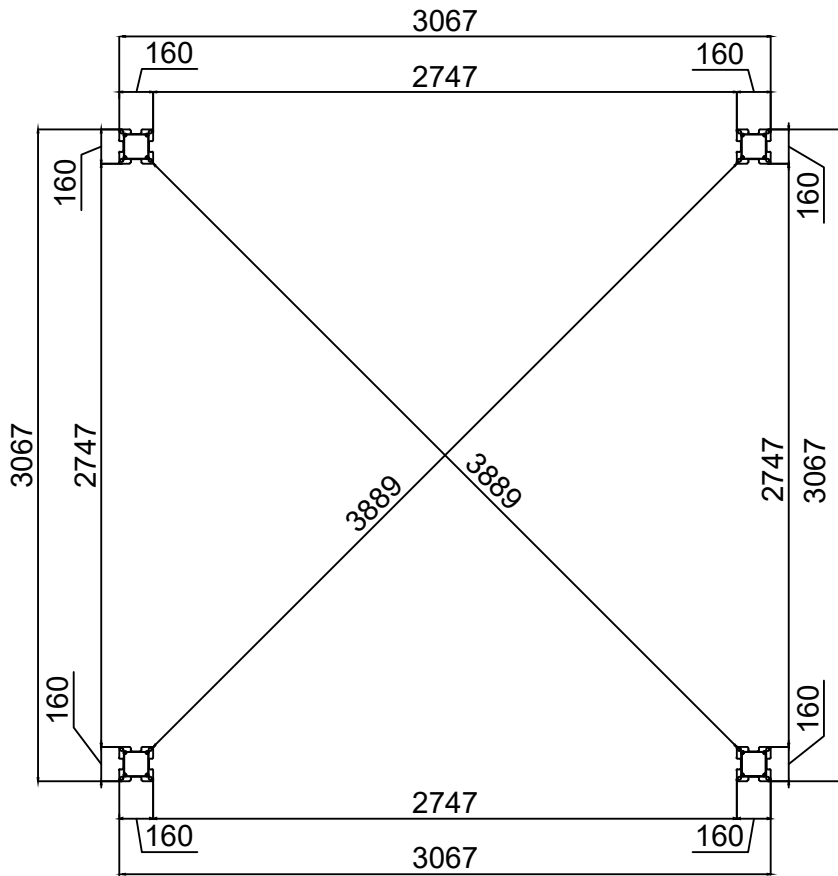
PERGOLA SIZE

3x3

Plan Size




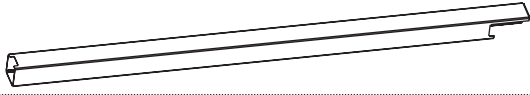

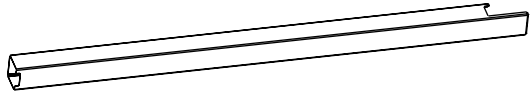
Base Plate Layout Plan





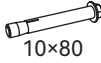

Spare Part List

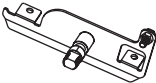
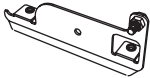
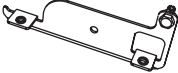




3x3









CARTON 1/4

No.	Profile	Diagram	Size	QTY
AO			116X116 L=2550mm	2
AO-2			116X116 L=2550mm	2

No.	Diagram	QTY
IO		4
JO		4

No.	Diagram	QTY
TO	 10x80	16
XO-1	 6x35 4mm	16

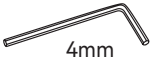

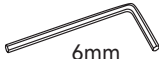

No.	Diagram	QTY
KO		1
LO		18
LO-1		19
MO		37
QO	 6mm	24
RO		24
UO-3	 M14	1


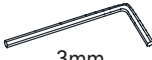
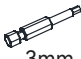
No.	Diagram	QTY
SO		38
SO-1		38
UO	 lock nut	39
UO-2		36
UO-4		36
WO	 5x6 3mm	76
XO	 6x35 4mm	37
VO		2

Spare Part List

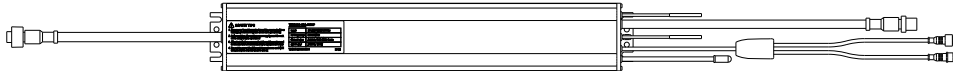
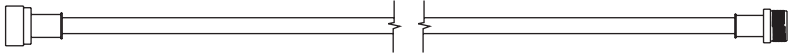

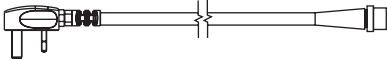
3x3

CARTON 1/4

No.	Diagram	QTY
ZO-1	 4mm	1
ZO-2	 4mm	1
ZO-3	 6mm	1
ZO-4	 6mm	1

No.	Diagram	QTY
ZO-5	 10mm	1
ZO-9	 3mm	1
ZO-10	 3mm	1






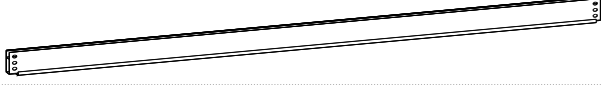

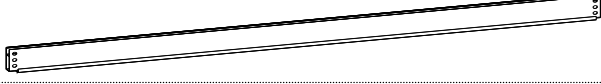





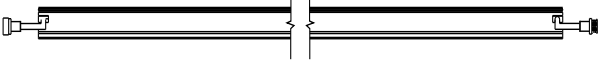
CARTON 1/4

No.	Diagram	QTY
E-A		1
E-B		1
E-CR		1
E-K1		1



Spare Part List

3x3





CARTON 2/4

No.	Profile	Diagram	Size	QTY
B3			75X153 L=2894mm	1
BO-4			75X153 L=2894mm	1
CO-3			75X153 L=2894mm	1
CO-4			75X153 L=2894mm	1
DO			43X12 L=2894mm	4
FO			27X8 L=2744mm	2
LED1			69X78 L=2790mm	4

CARTON 3/4

No.	Profile	Diagram	Size	QTY
GO			166X34 L=2853mm	10

CARTON 4/4

No.	Profile	Diagram	Size	QTY
GO			166X34 L=2853mm	8
GO-1			166X34 L=2853mm	1

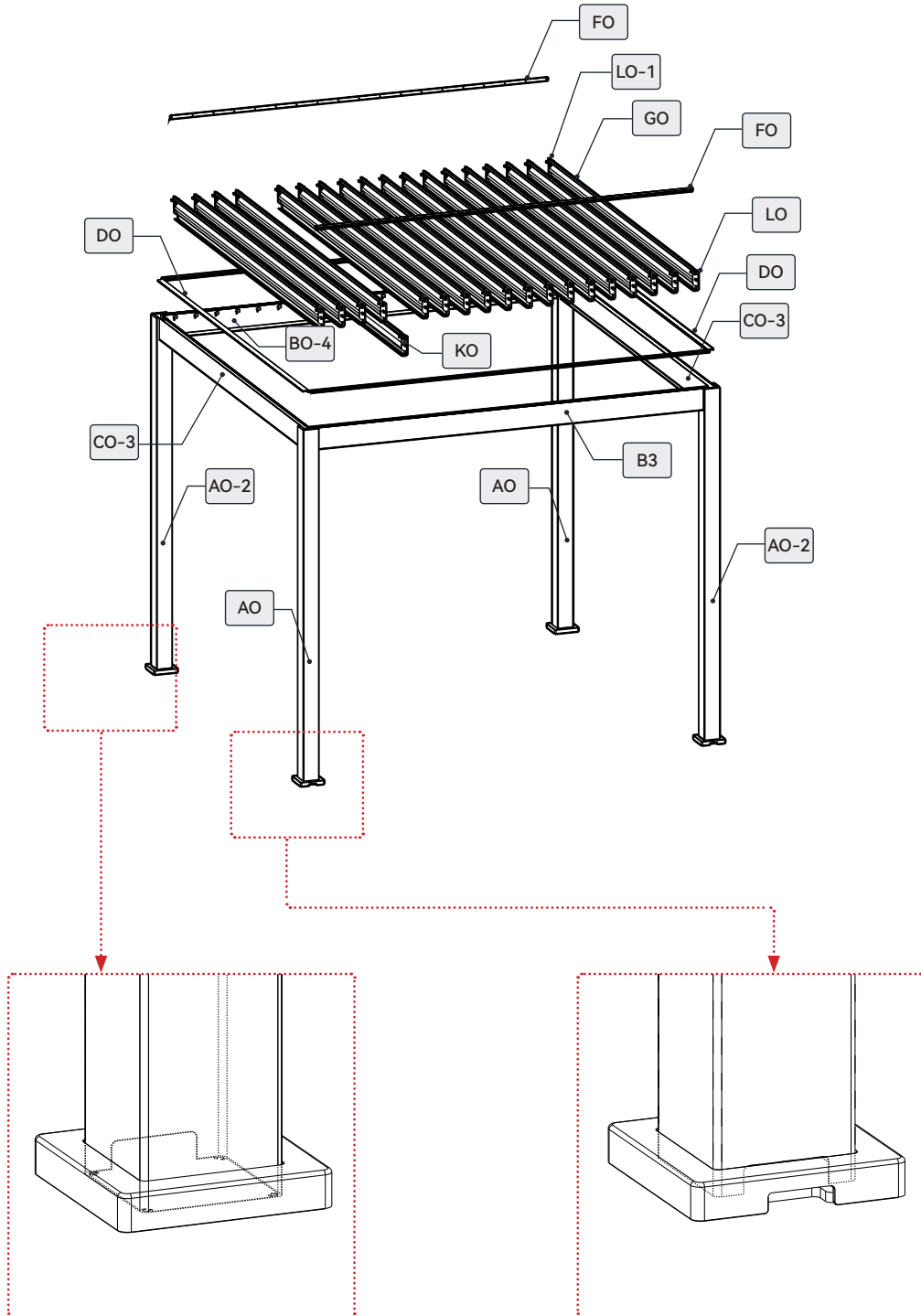
Before proceeding with the assembly of your louvered pergola, it is necessary to check that all parts listed are supplied and not damaged.

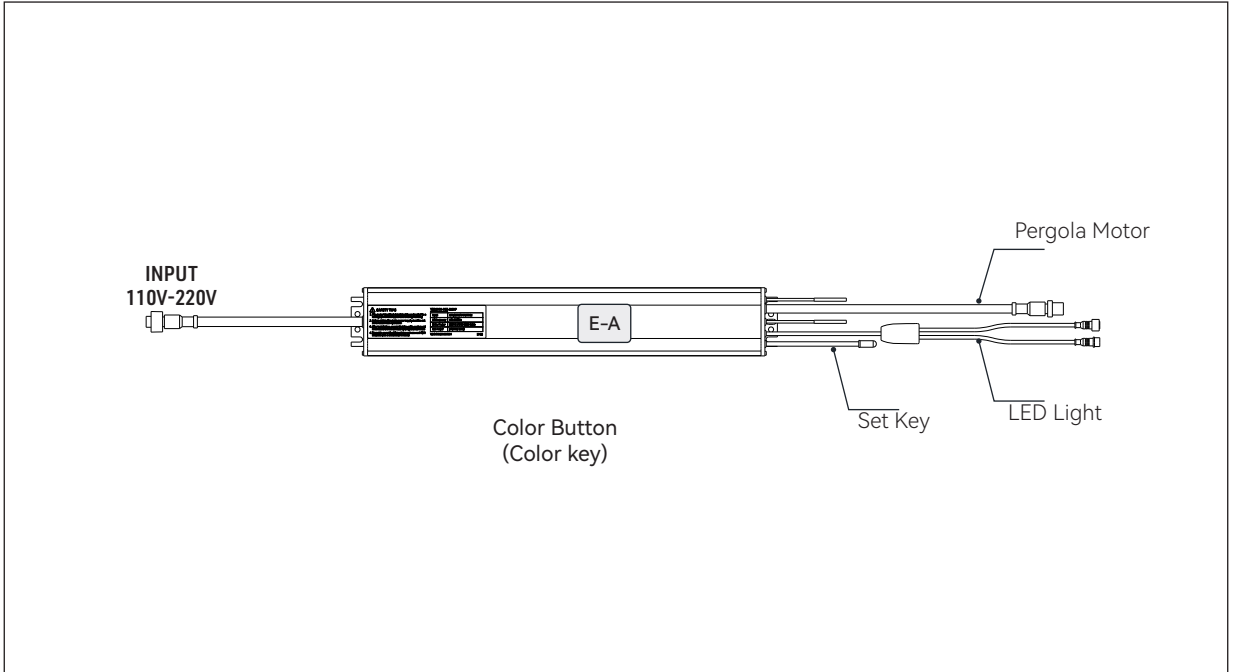
Any missing part must be reported within 10 days of delivery.

Do not discard the packaging without ensuring that the product is functioning properly.

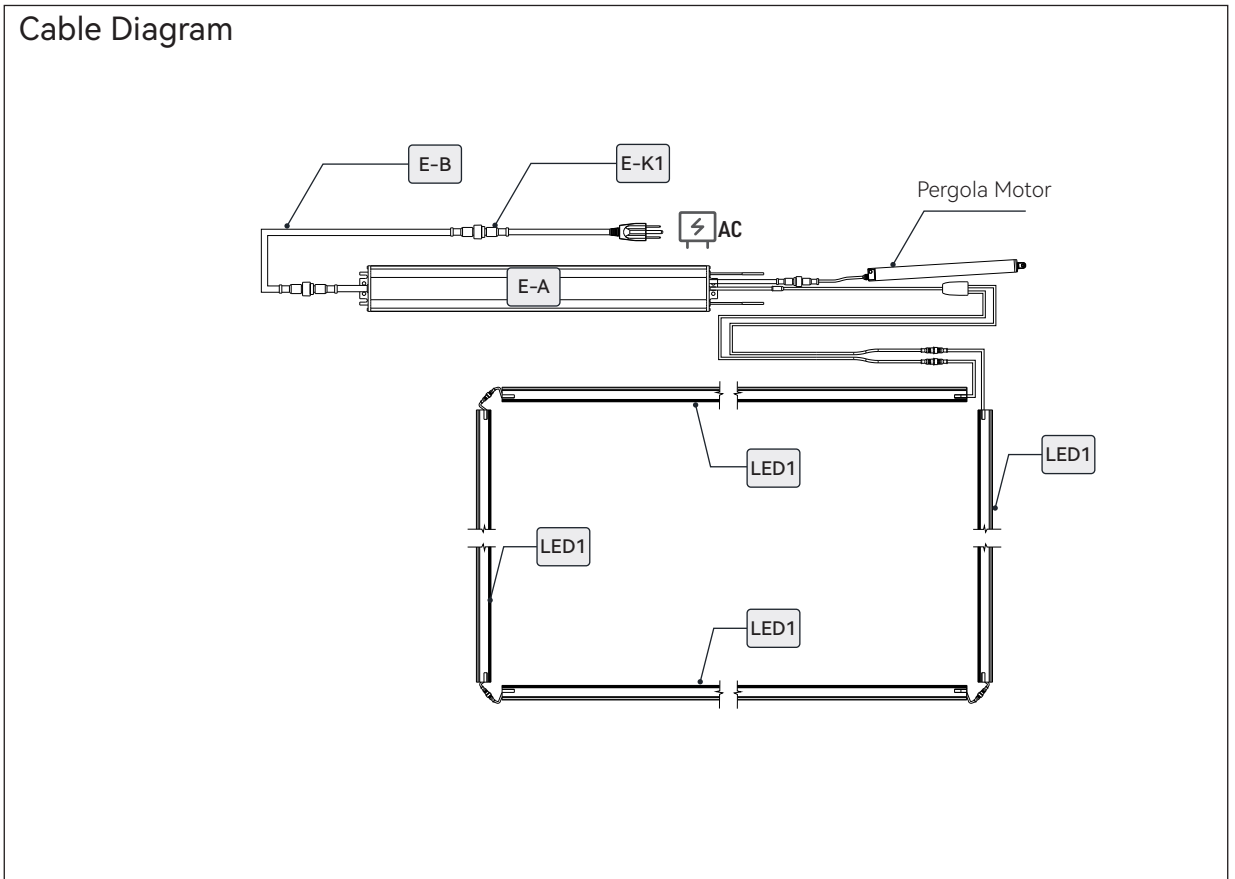
Attention:

Please note that the outlet on the skirt should be in the front position for the front side, while for the rear side, the outlet is a mirror image of the front face.



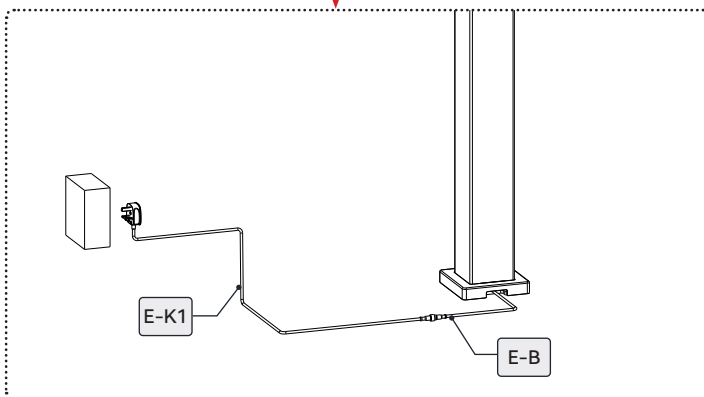
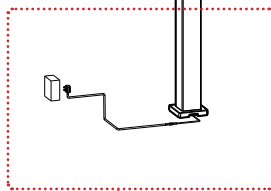
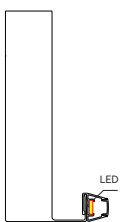
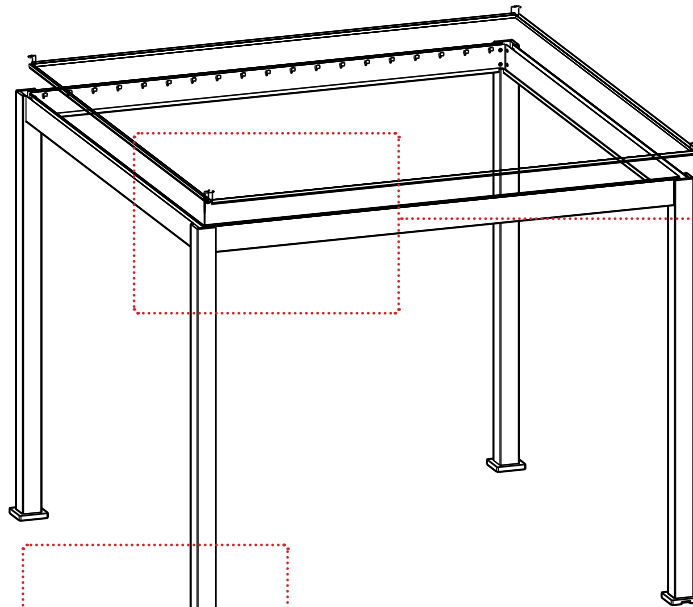
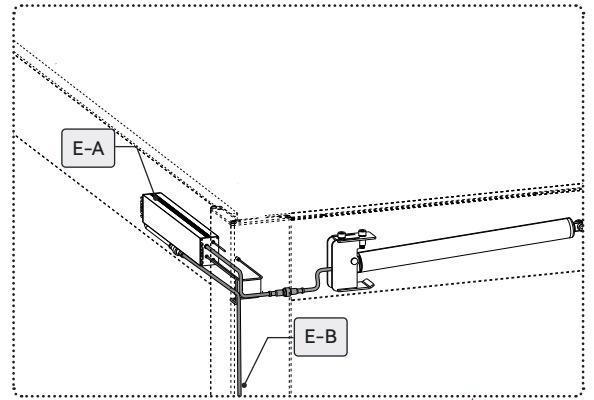
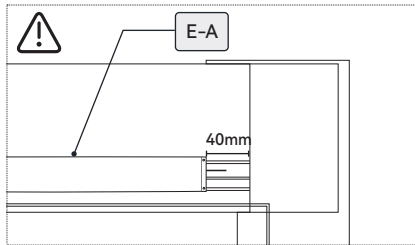


Cable Diagram












Attention:

1. The controller must be installed inside the side beam, with the input cable routed through the post and exiting through the drainage opening.
2. Insert the controller at least 20 cm deep into the recess of the side beam, ensuring a distance of 40 mm from the end of the beam.
3. The accessories (such as Sunblinds or Panels) are secured by screwing it into the beam, 18 cm from the end of the beam.



The illustration uses a manual wrench, which can be replaced with an electric P-tip.

KO		1	MO		37
LO		18	XO		37
LO-1		19	UO		37

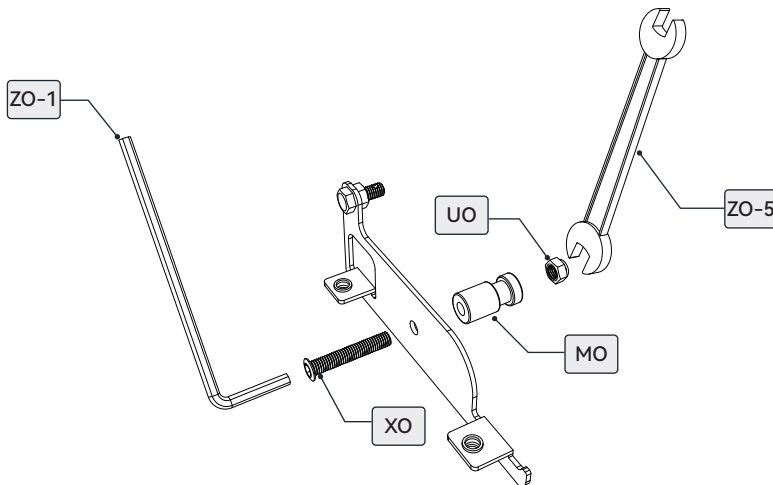
ZO-1		4mm
ZO-2		4mm
ZO-5		10mm

Attention:

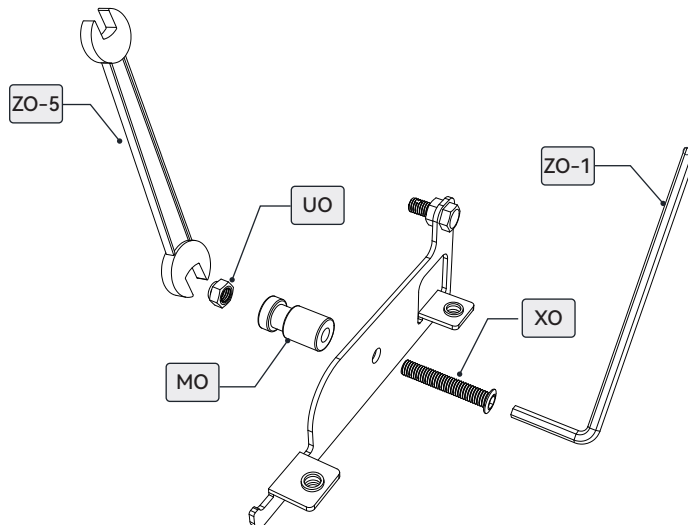
Install the spindles for the louver cover on both sides of the louvres.

Note: To avoid any broken of the plastic parts(MO), when use the pistol drill, please reduce the twisting force of it .




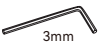


X24

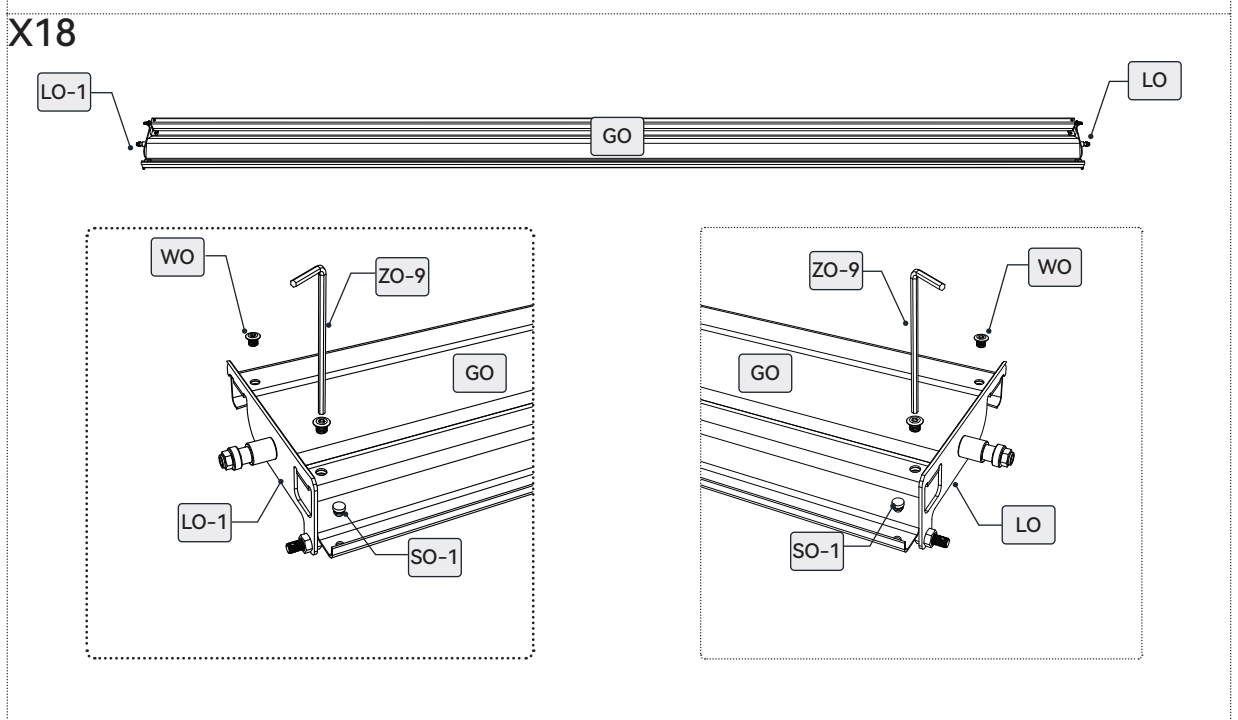
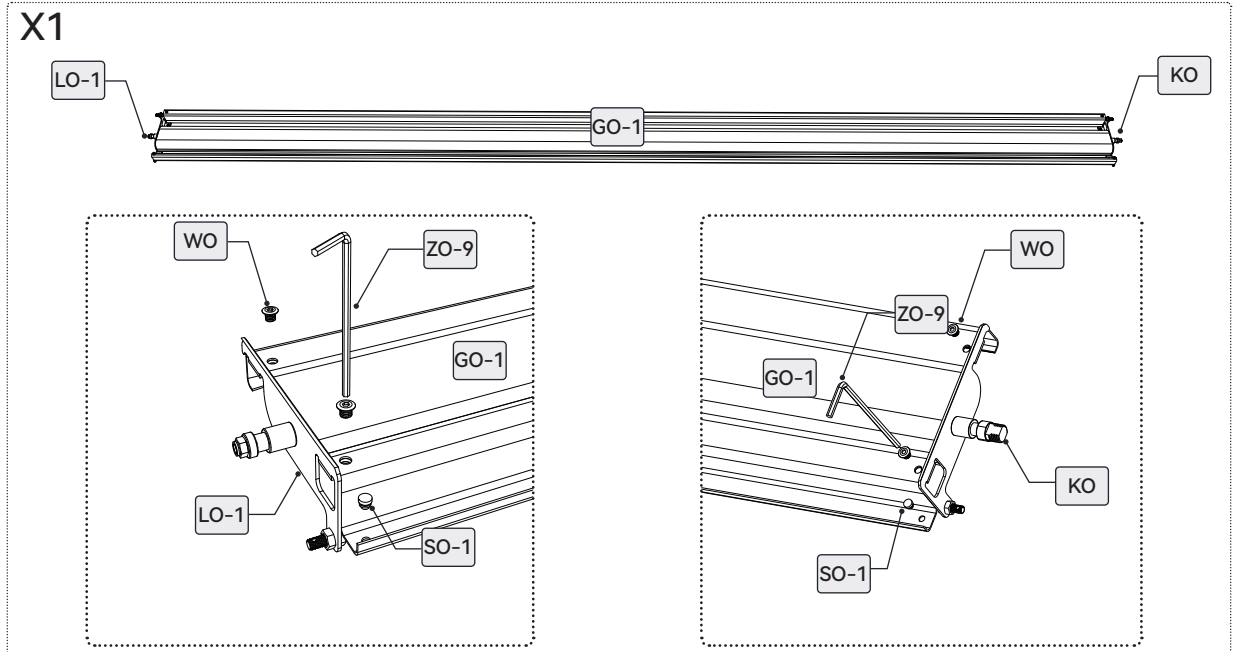


X25





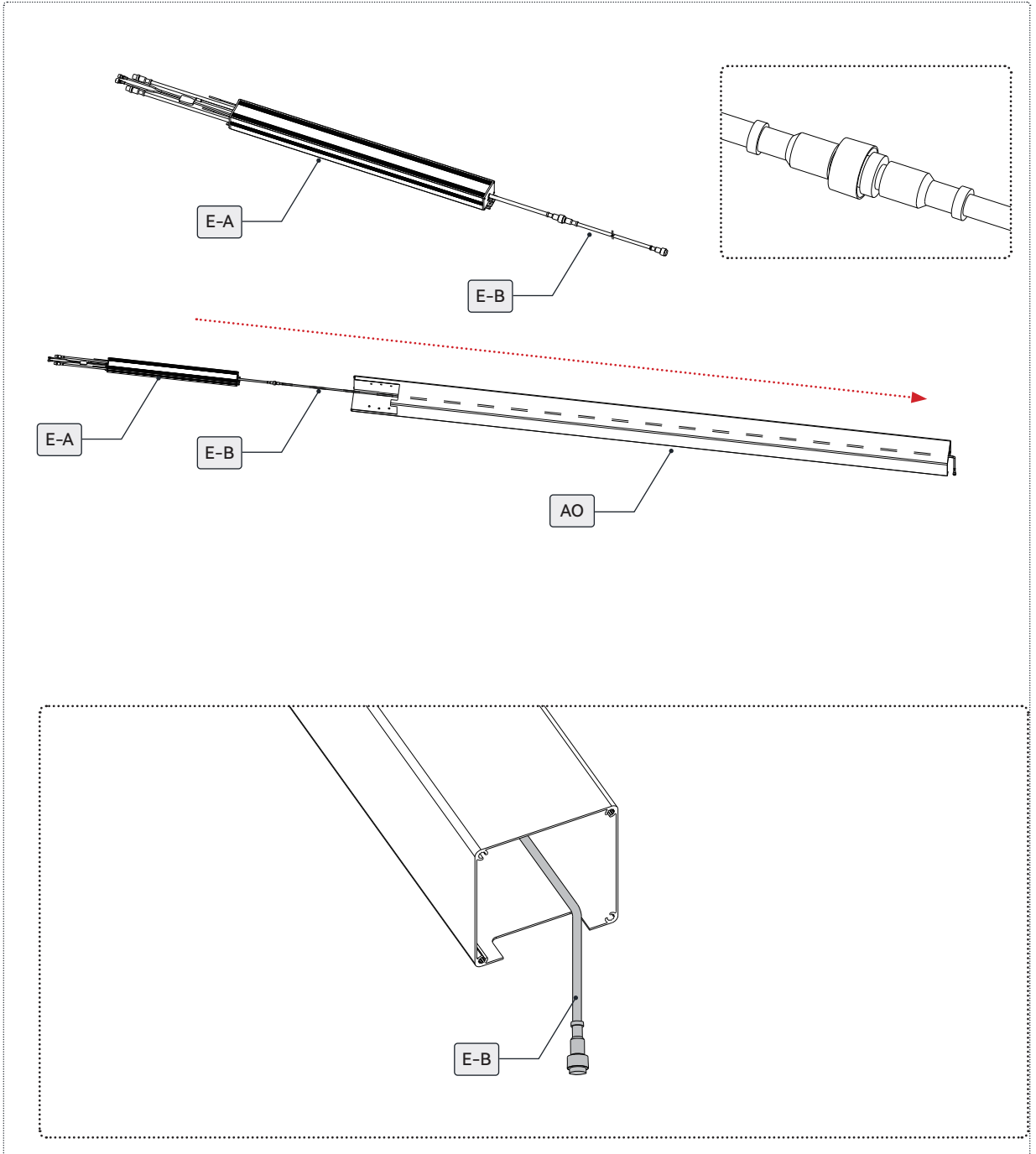
Install the louver cover on both sides of the installed louvres and the spindle louver cover on both sides of the louvres.

GO		18	WO	 5x6	 3mm	76	ZO-9	 3mm
GO-1		1	SO-1			37		






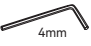



If the pergola is not installed, first thread the controller's input end through the upright column, then install the base plate, place it into the side beam cavity, and complete the installation of all pergola components.

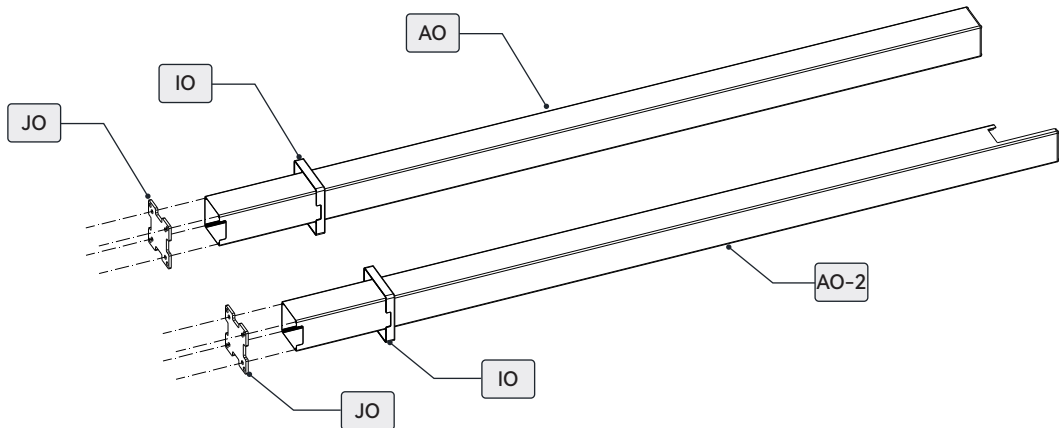
E-A		1
E-B		1



ASSEMBLY GUIDELINES

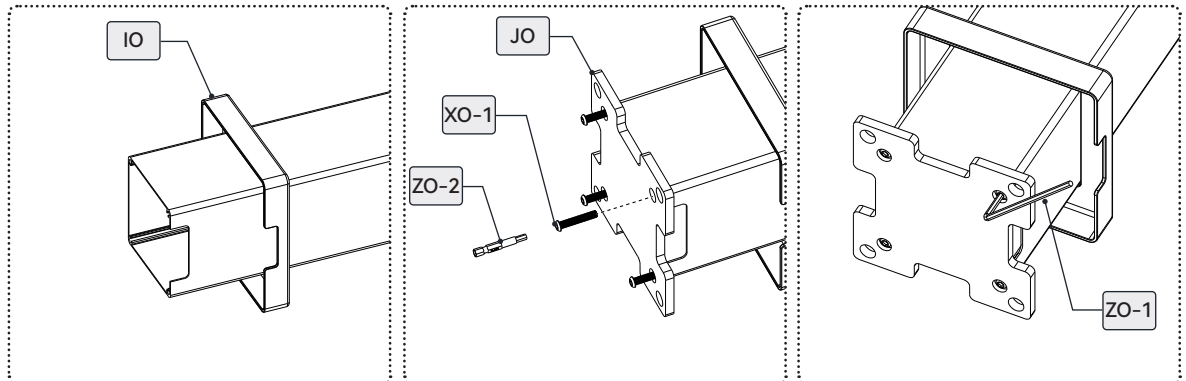
Install the post skirt first, put the notch of the post skirt against the notch of the post, and then install the base plate to fix it to the bottom surface of the post.

AO		2	IO		4	XO-1		16	ZO-1		4mm
AO-2		2	JO		4				ZO-2		4mm





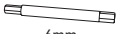


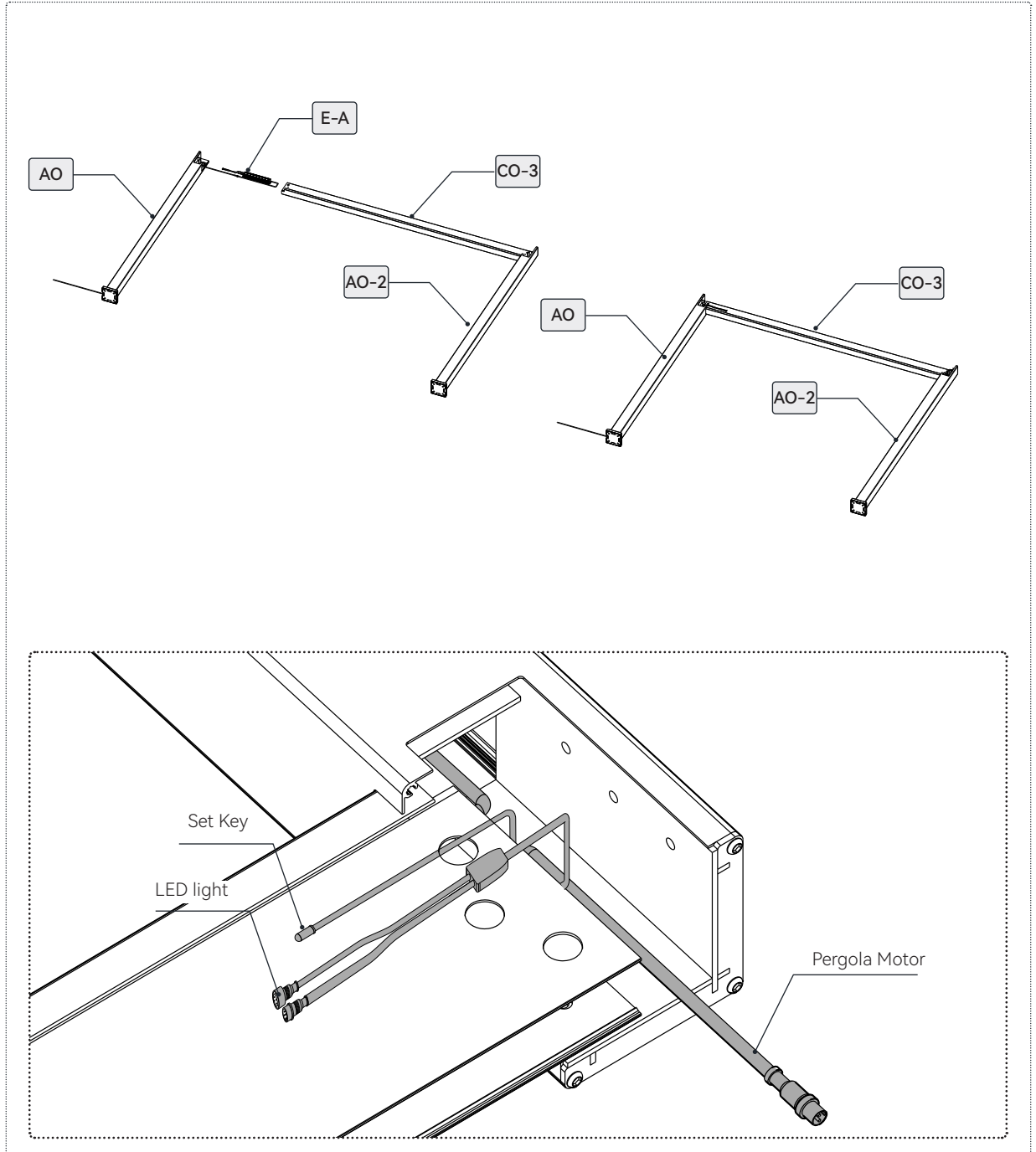
Attention:

Please fasten the screw by hand after installing these screws.







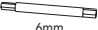
Extract the relevant output cables of the controller to facilitate subsequent installation.

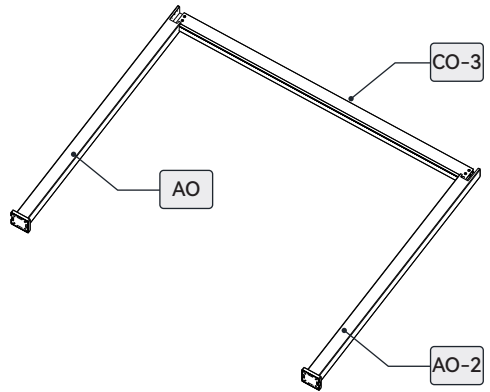
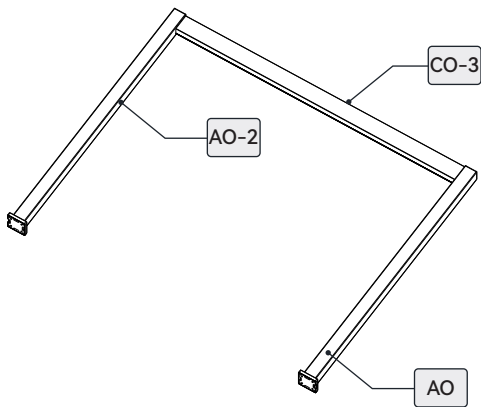
CO-3		1	QO			12	ZO-3		6mm
							ZO-4		6mm



Placing the post on the ground, and then complete the installation of the side beams.

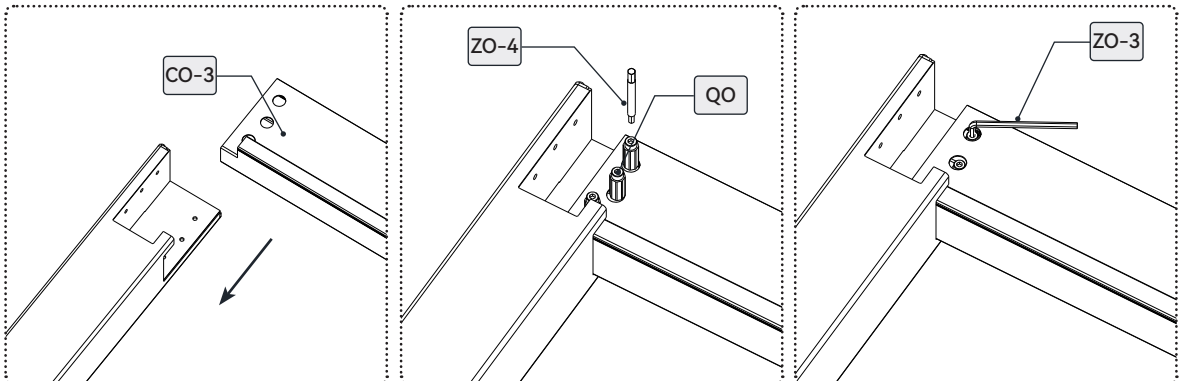
CO-3		2	QO			12
------	---	---	----	---	---	----

ZO-3		6mm
ZO-4		6mm





Attention:



Please fasten the screw by hand after installing these screws.

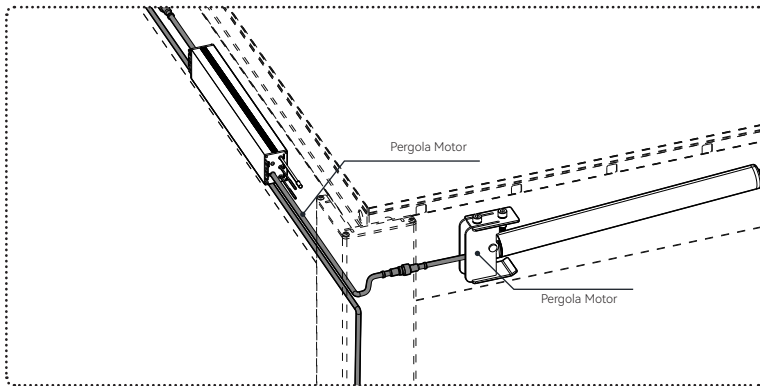
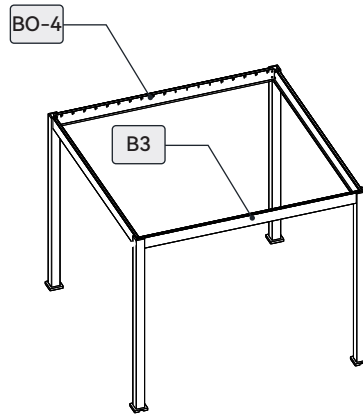
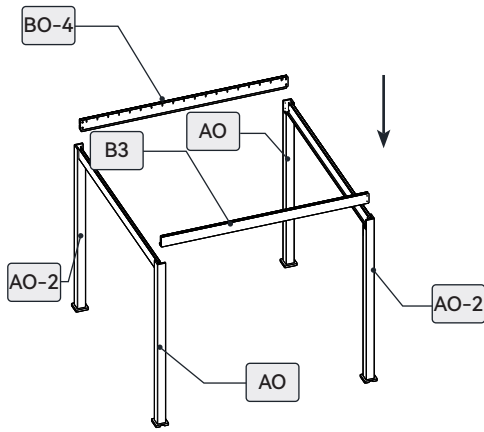


First, position the secondary beam, followed by the primary beam, taking care to note the motor connection cable on the primary beam. Then, connect the motor cable from the controller to the motor.

B3		1
BO-4		1

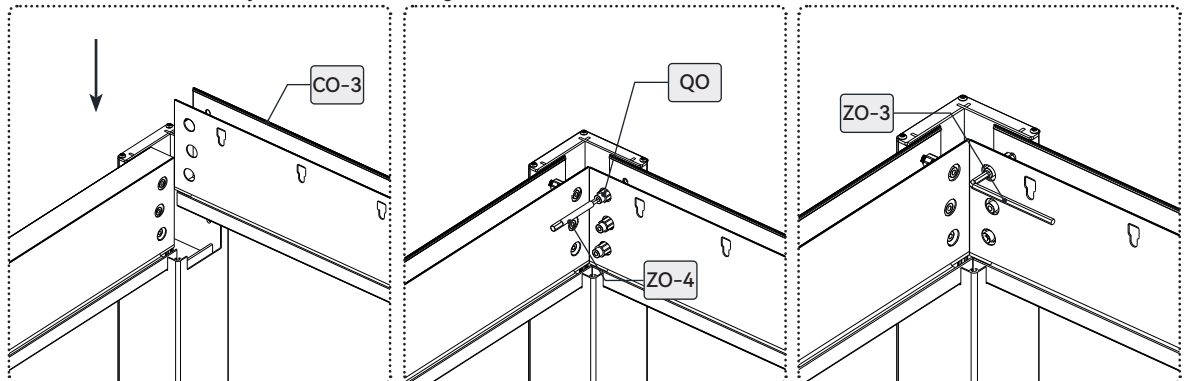
QO			12
----	---	---	----

ZO-3		6mm
ZO-4		6mm

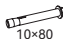


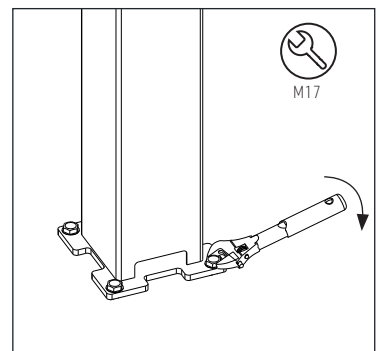
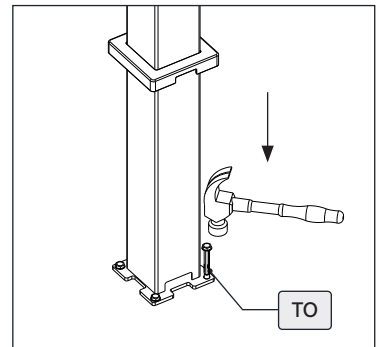
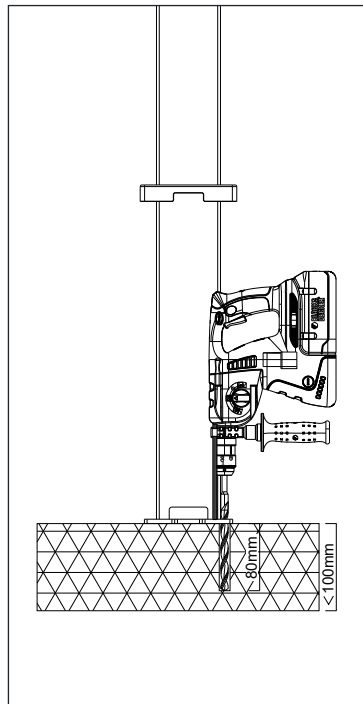
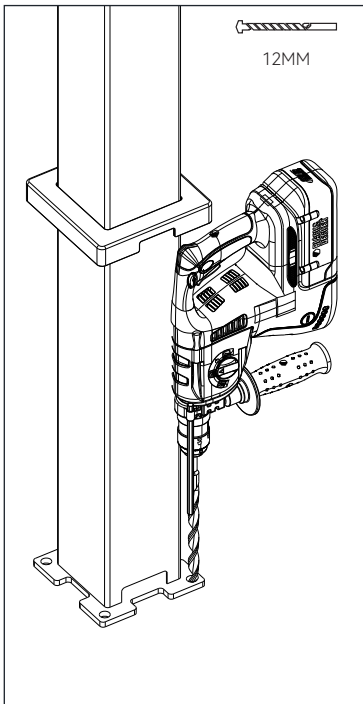
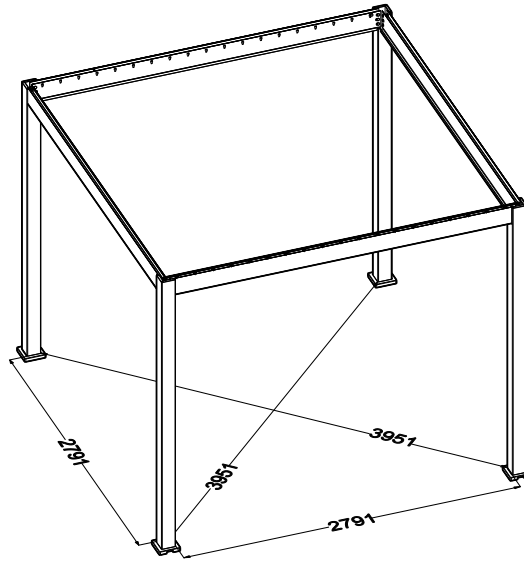
Attention:

Please fasten the screw by hand after installing these screws.

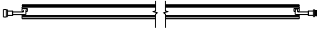
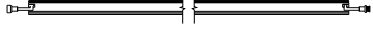


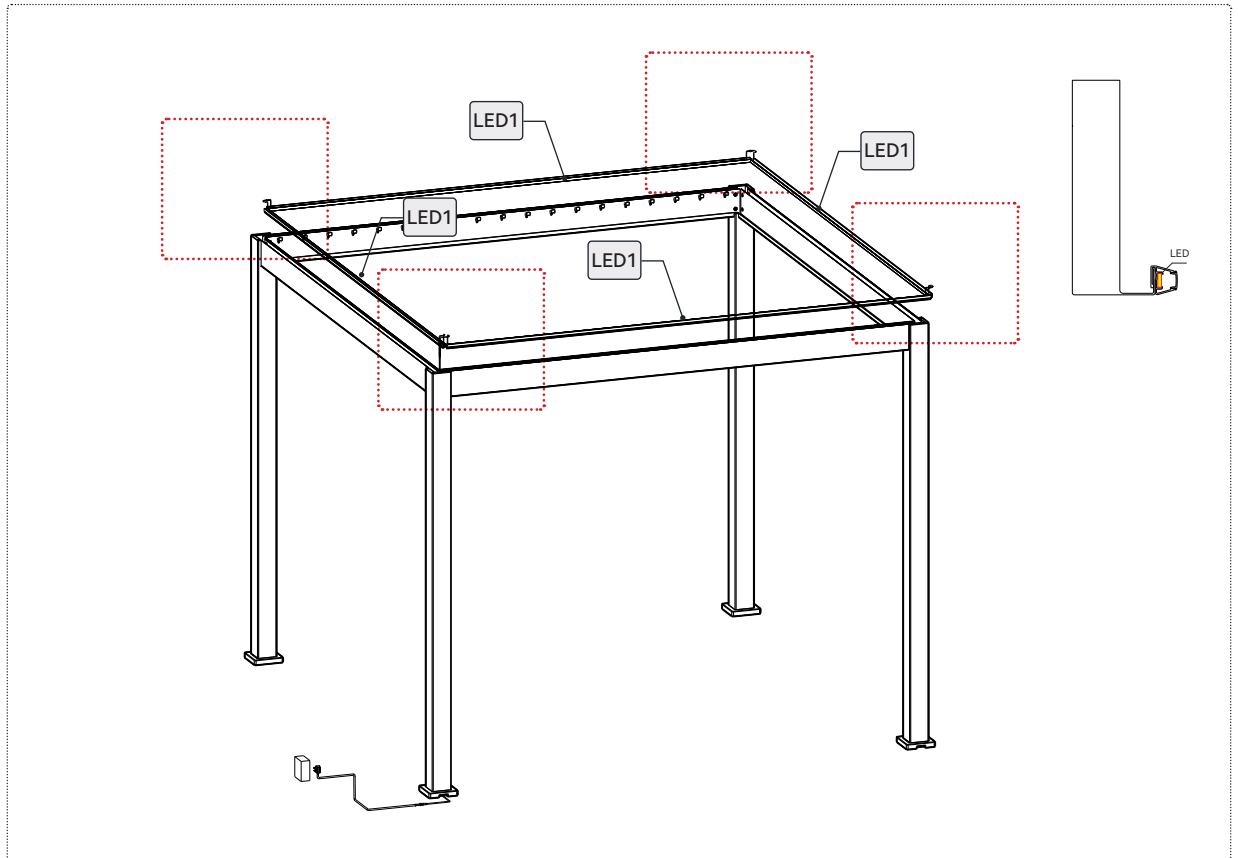
1. Check the dimensions as shown in the diagram.
2. Use a spirit level to ensure that all beams are level and that the posts are at a 90° angle to the ground.
3. Check the vertical alignment of the posts. (Only for 3 / 6 posts)
4. Adjust the lower edge of the columns according to the dimensions in the diagram.
5. Use a 12 mm hammer drill to drill the holes, then insert the expansion bolts and tighten them with an M17 wrench.

TO	 10x80	16
----	---	----



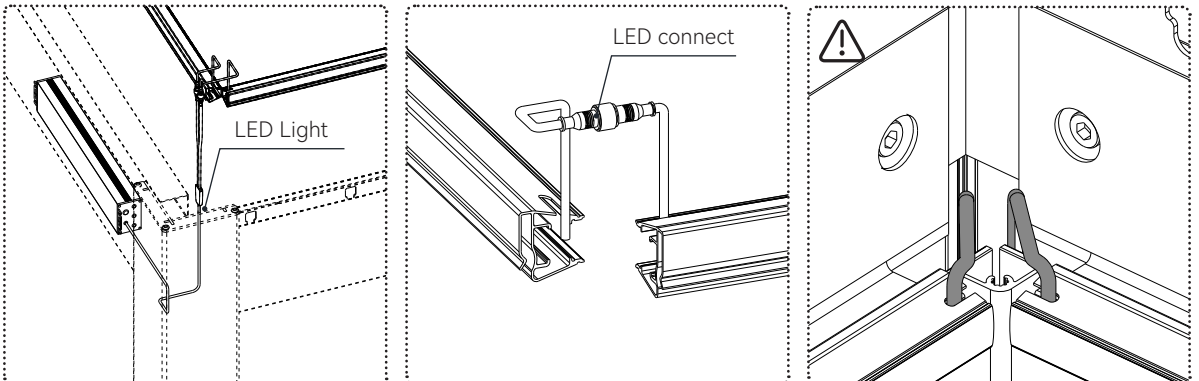
Place the external light strip, connect it to the controller, and link them together in series.

LED1		2
LED2		2



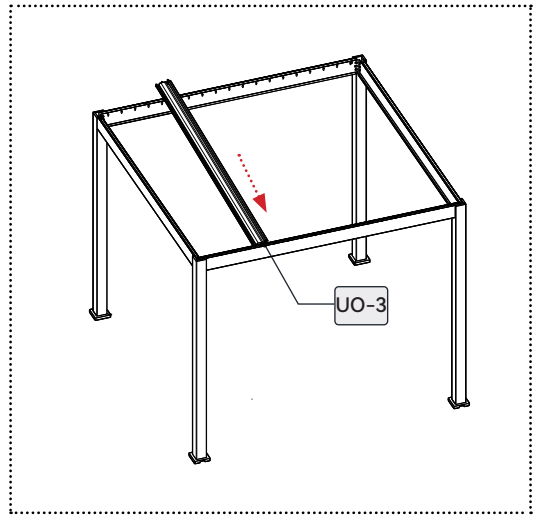
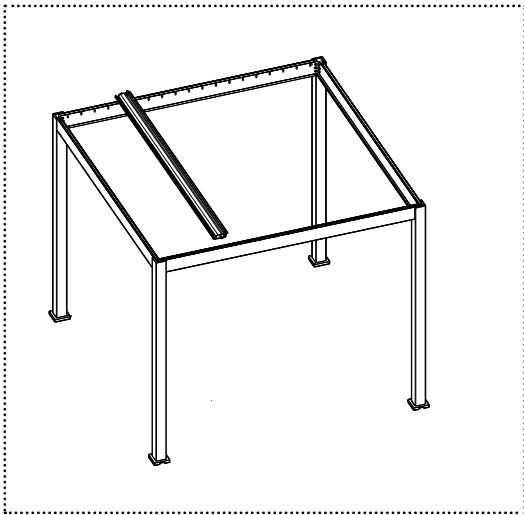
Attention:

Interconnect the LED strips and connect one segment to the controller's LED terminal. After completing connections, securely route the cables into the drainage port.



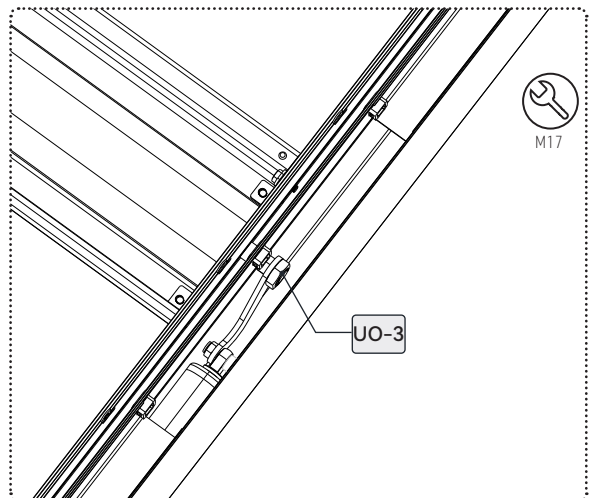
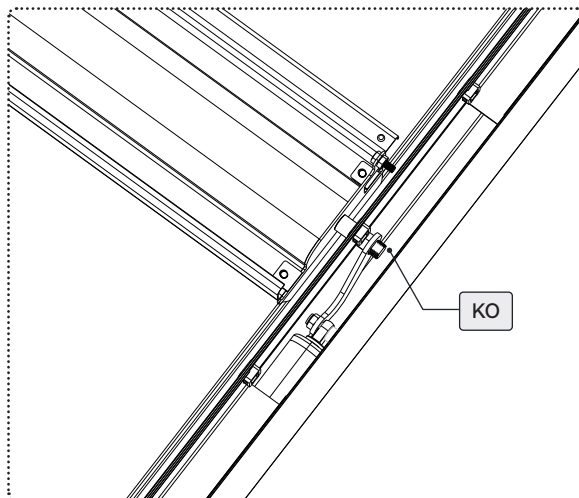
Install the louvres with spindles first, placing one side completely into the hole cut in the beam and then the other end.

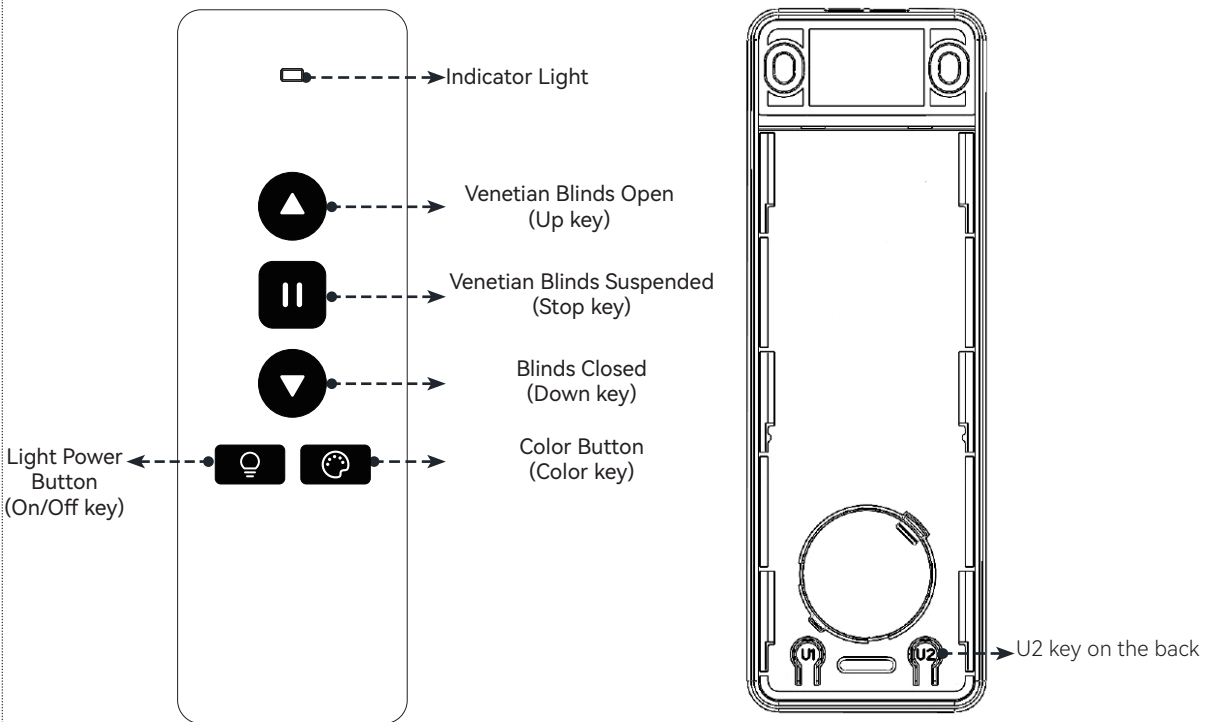
UO-3	 M14	1
------	---	---



Attention:

Tighten using a wrench.





RGB Lighting Function

Light Power Button Function:

Short Press: Cycle control for turning the light on/off.

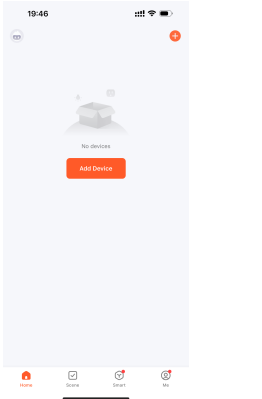
Long Press (2 seconds): Cycle dimming for brightness, gradually dimming and brightening.

Color Button Function:

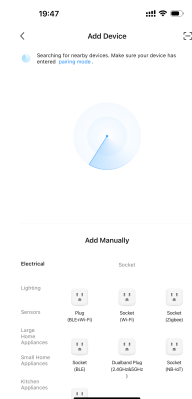
Short Press: Cycle through 8 color modes: red, green, blue, yellow, cyan, purple, white, and automatic color changing.

Long Press (2 seconds): Gradual color cycling and color adjustment.

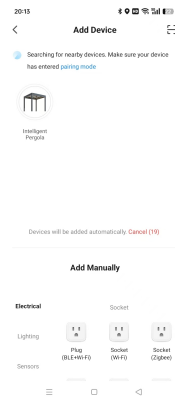
The product also supports the TUYA function. The product can be controlled by downloading TUYA. The user must use this function when the WIFI signal is sufficient.



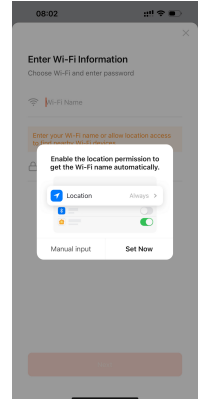
Press 'Add Device'



The program start searching for nearby applications automatically which will take for a while.

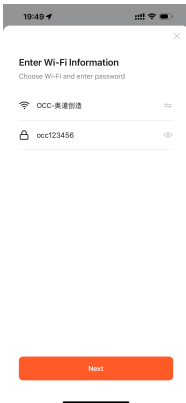


You will find the Intelligent Pergola press.

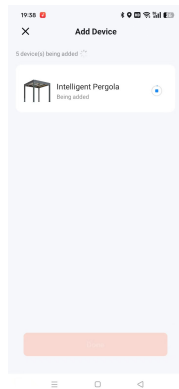


Press 'Set Now' and 'Always allowed'

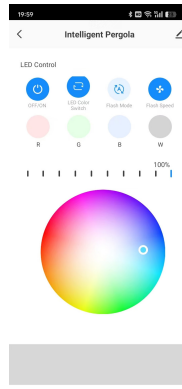
! If you cannot find the corresponding APP in Tuya, please reset the controller's network settings according to the instructions below the diagram.



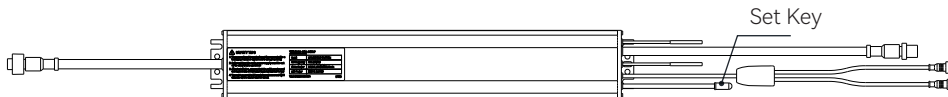
Select your WIFI and input Password.



You will see the Intelligent Pergola light connected to you apps.



Press the Icon then you will be able to use.



Reset Network:

Method 1:

Long press the "SET Y" on the controller for 7 seconds.

The indicator light will stay off for 1 second, indicating that the network has been successfully cleared.

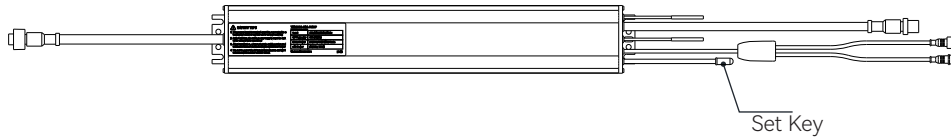
Method 2:

Long press the "U2 KEY" on the back of the remote control for 2 seconds.

The indicator light will blink slowly, indicating that it has entered the learning mode.

Then, long press the "DOWN KEY" on the remote control for 2 seconds.

The indicator light will stay off for 1 second, indicating that the network has been successfully cleared.



Remote Control Pairing Guide

Below are two methods for pairing the remote control, clearly organized and easy to follow:

Pairing Method 1:

Enter Pairing Mode:

Press and hold the "SET KEY" on the controller for 2 seconds. The indicator light will start blinking slowly, indicating that it has entered pairing mode.

Complete Pairing:

Press and hold the "Stop key" on the remote control for 2 seconds. The indicator light will stay off for 1 second, indicating that the remote control has been successfully added.

Pairing Method 2:

Enter Pairing Mode:

Press and hold the "U2 Button" on the back of the already paired remote control for 2 seconds. The indicator light will start blinking slowly, indicating that it has entered pairing mode.

Add a New Remote Control:

Press and hold the "Stop key" on the remote control that needs to be paired for 2 seconds. The indicator light will stay off for 1 second, indicating that the new remote control has been successfully added.

Notes:

Ensure that the remote control and controller are within the effective operating range.

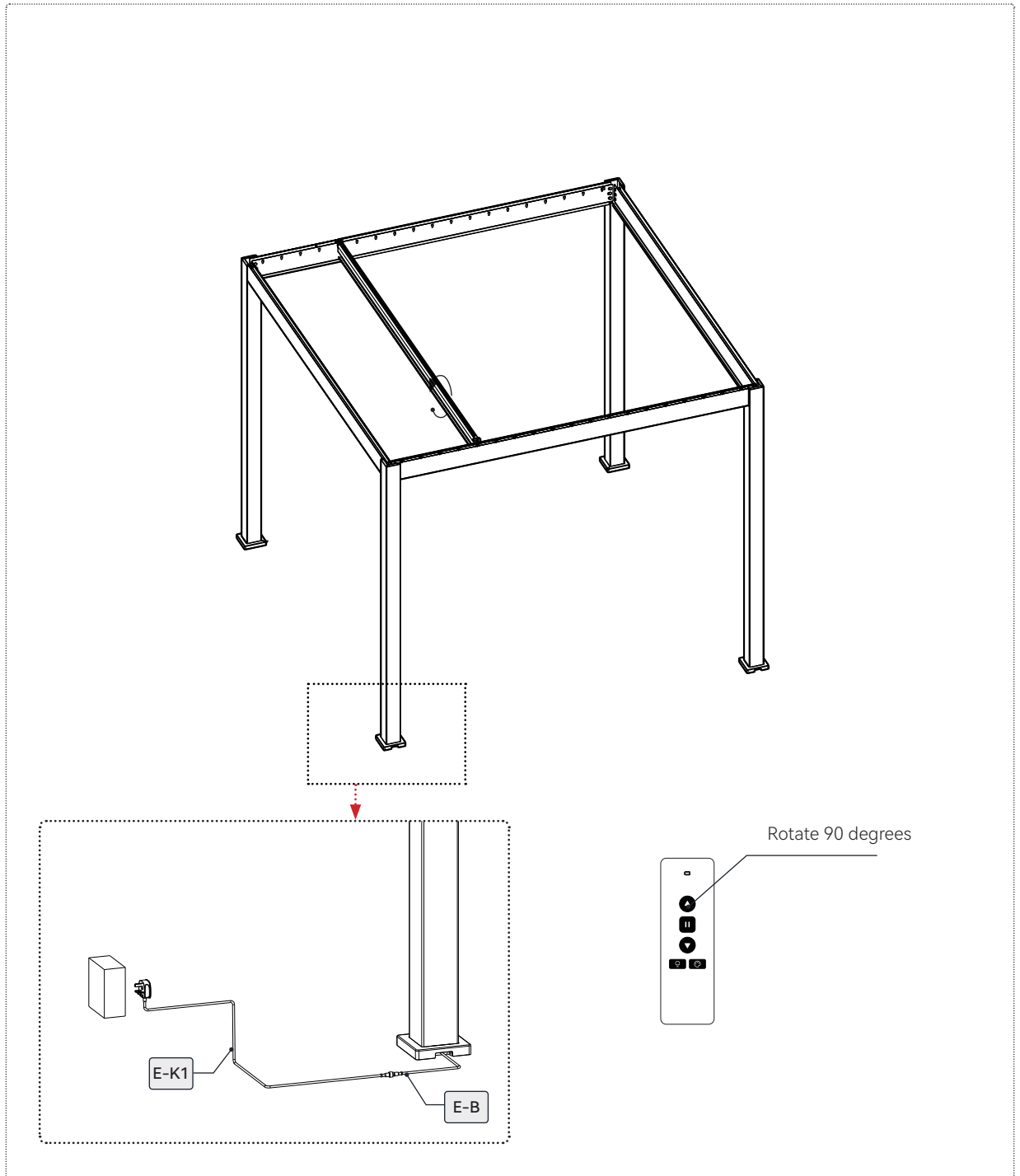
If the indicator light does not change as expected, repeat the operation or check if the device is functioning properly.

Different brands or models of devices may have different operating procedures. Please refer to the specific device's user manual.


Energize the pergola and manipulate the remote control to rotate the shutters to a 90-degree position, thereby facilitating the subsequent installation of additional shutters.

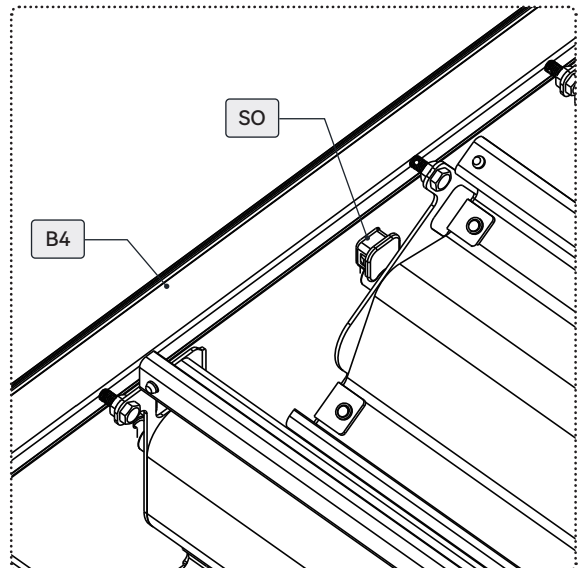
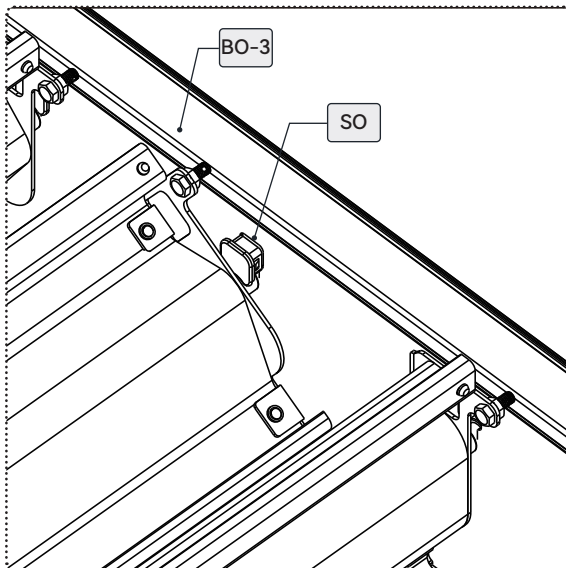
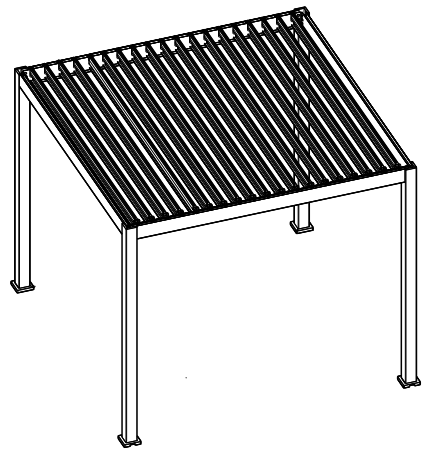
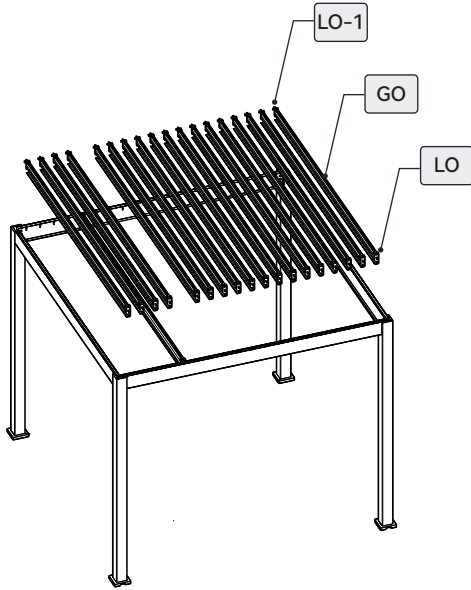
E-CR		1
------	---	---

Install the battery (purchase separately) into the remote control (E-CR) Tip. The battery model we suggest is CR2450.





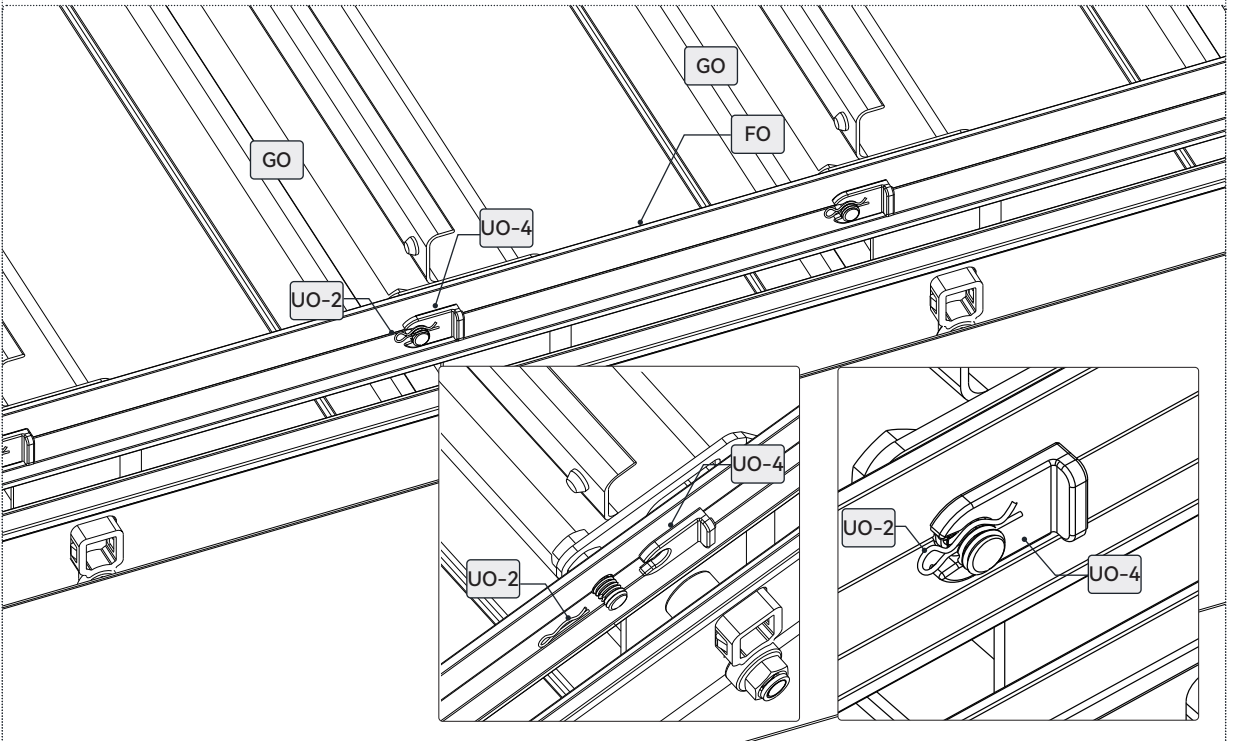
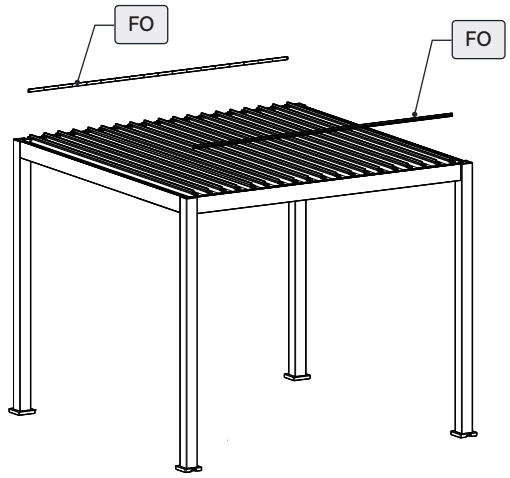
Put in the other louvers and seal the end caps

SO		38
----	---	----





Attach the connecting rod to the side of the spindle louvre.




UO-2		36
UO-4		36

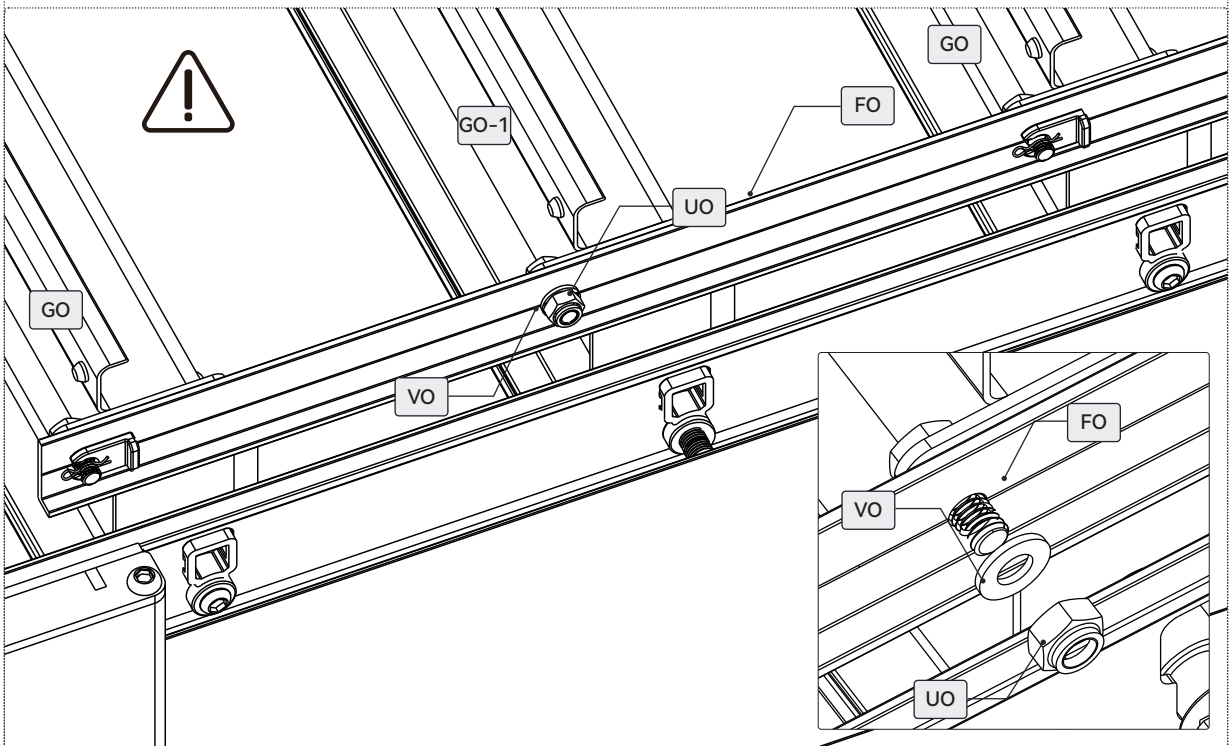
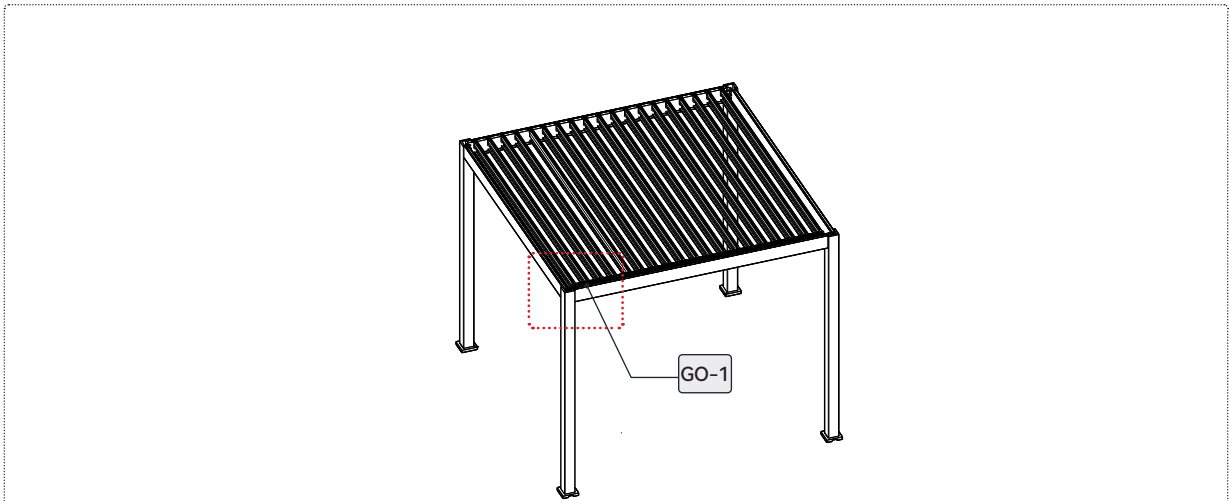


With the corner aluminum is connected to the main shaft louver using lock nuts and washers.

FO		2
----	---	---

UO		2
VO		2

ZO-1		4mm
ZO-2		4mm
ZO-5		4mm



Before assembling the "DO," the functionality of the pergola must be tested and ensured. All previous work steps must be completed. The "DO" assembly is the final step. Close the slats and ensure that they slide smoothly into each other. There should be no contact, misalignment, or scraping noises between the slats.

DO		4
----	---	---

